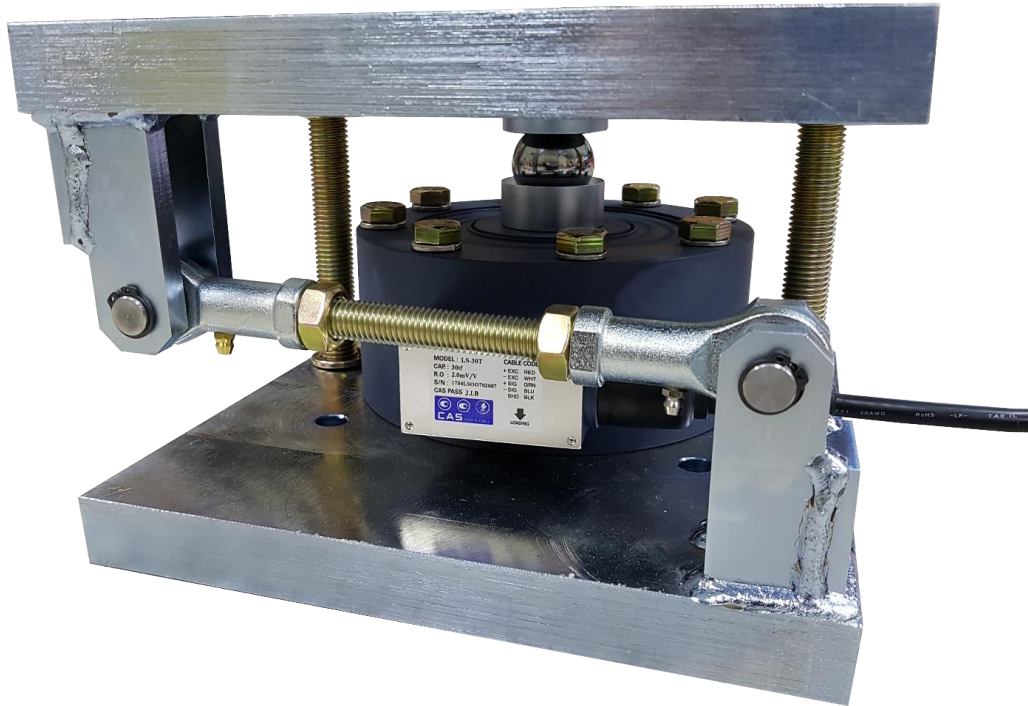


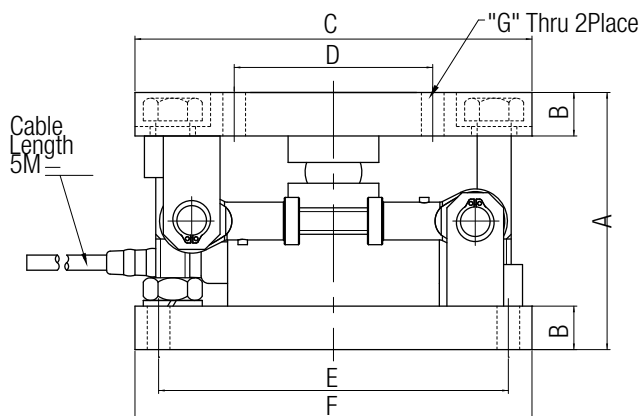
CLS-TWE TANK WEIGHING MODULE

PAN CAKE LOAD CELL



Protection to breakaway (ACCE-CLS-TWE)

⊙ DIMENSIONS



⊙ Features

- High Durability
- Appropriate for Tank and Hopper application
- Designed with safety Coefficient considerations
- Prevention of separation by the bolt
- Adjustment for the exact position by check rod

⊙ MANUAL

- Load cell connection with the Mounting Plate
- Fix the Mounting plate on the surface
- Check the level of the Mounting Plate
- Place the Loading Plate over the Load Cell
- Check the value with a display systems

Capacity	A	B	C	D	E	F	G
1tf, 2tf, 3tf	136	23	210x180	105x105	185x105	210x180	4-Φ12
5tf	145	23	210x180	105x105	185x105	210x180	4-Φ12
10tf, 15tf	166	30	220x207	105x105	125x125	220x207	4-Φ14
20tf, 30tf	196	30	270x280	105x105	160x160	270x280	4-Φ14